



PARTS CATALOGUE

EF2000iS (7DK3) DEU,FRA,AUS,KOR



1H7DK-300E1

()

EF2000iS
PARTS CATALOGUE
©2009 by Yamaha Motor Co., Ltd.
1st edition, August 2009
All rights reserved.
Any reprinting or unauthorized use
without the written permission of
Yamaha Motor Co., Ltd.
is expressly prohibited.
Printed in Japan.

FOREWORD

This Parts Catalogue is related to the parts for the model(s) on the cover page. When you are ordering replacement parts, please refer to this Parts Catalogue and quote both part numbers and part names correctly.

1. Modifications or additions which have been made after the issue of the Parts Catalogue will be announced in the Parts News.

It is advisable that you make the necessary corrections to the Parts Catalogue according to the Parts News.

2. Abbreviations

The following abbreviations are used in this Parts Catalogue.

“UR” Use specified parts number.

“UN” Use as many as needed.

“AP” Alternate Parts

“LM” Locally Made (Parts need to be ordered locally)

“F#” Frame No. (Applicable machine No.)

“O/S” Over Size

3. The number of components for assembly

- Parts, which are to be supplied in an assembly, are listed with a dot (.) in front of the part name as shown below.
- The numeral appearing to the right of each component part indicates the quantity of parts for each assembly unit.

PART NO.	DESCRIPTION	Q'TY	REMARKS
2F5-83310-60	FRONT FLASHER LIGHT ASSY	2	
115-83311-60	.BULB (6V-18W)	1	

4. Applicable colours of graphics are represented in the “REMARKS” as shown below.

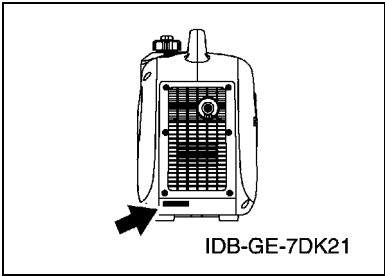
PART NO.	DESCRIPTION	Q'TY	REMARKS
2N4-24110-00-X5	FUEL TANK COMP.	2	MXR
3J1-24240-10	.GRAPHIC, FUEL TANK	1	FOR MXR

5. Note that the illustrations for reference in finding parts numbers are not to be used for assembling. When assembling, please use the applicable service manual.

6. The asterisk (*) before a reference number indicates modified items after the first edition.

FOREWORD

7. Applicable Serial No.
 Frame Serial No.



8. Applicable Colour Code (The (*) mark shows Model colour.)

Abbreviation	Colour Name	Colour Code
PBS3(*)	PURPLISH BLUE SOLID 3	0714

9. Applicable Starting Serial No.
 *****Serial NO.

Model	Model Code	Destination	Voltage	Serial NO.
EF2000iS	7DK3	DEU	230V-50Hz	7DK3-0300101
EF2000iS	7DK3	FRA	230V-50Hz	7DK3-0303101
EF2000iS	7DK3	AUS	230V-50Hz	7DK3-0306101
EF2000iS	7DK3	KOR	220V-60Hz	7DK3-0312101

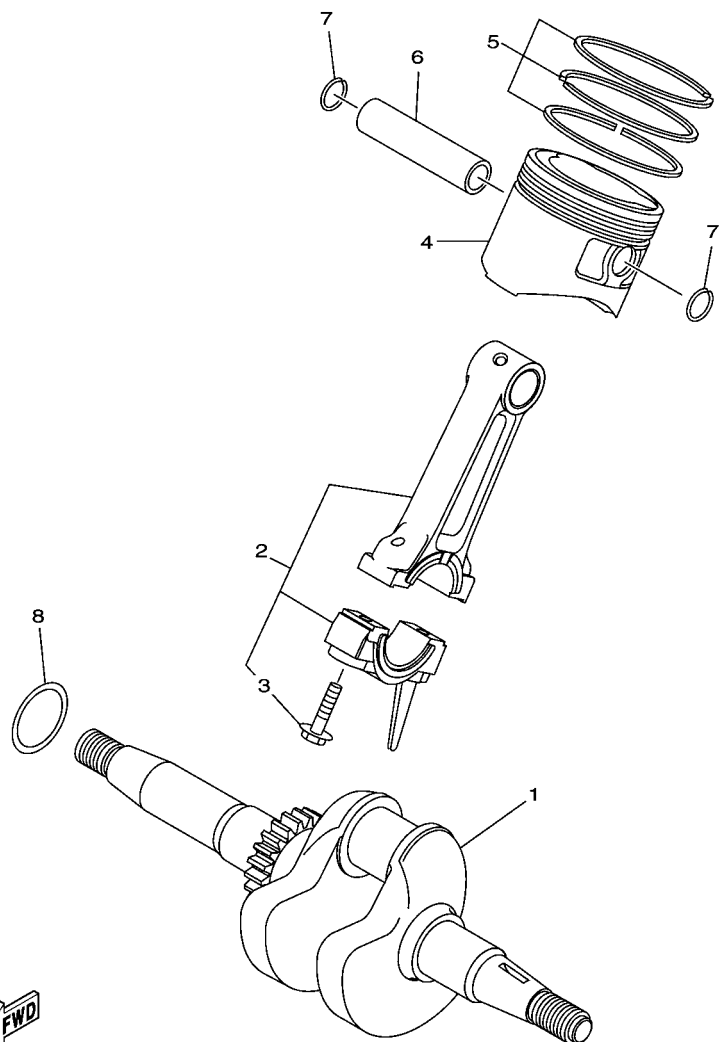
CONTENTS

CYLINDER	1
CRANKSHAFT & PISTON	2
CAMSHAFT & VALVE	3
AIR SHROUD & STARTER	4
INTAKE	5
CARBURETOR	6
EXHAUST	7
CRANKCASE	8
FRAME	9
FRAME 2	11
FUEL TANK	13
TCI MAGNETO	14
GENERATOR	15
CONTROL BOX 1	16
CONTROL BOX 2	18
CONTROL BOX 3	20
CONTROL BOX 4	22
GRAPHIC & EMBLEM	24

INDEX

NUMERICAL INDEX	25
-----------------------	----

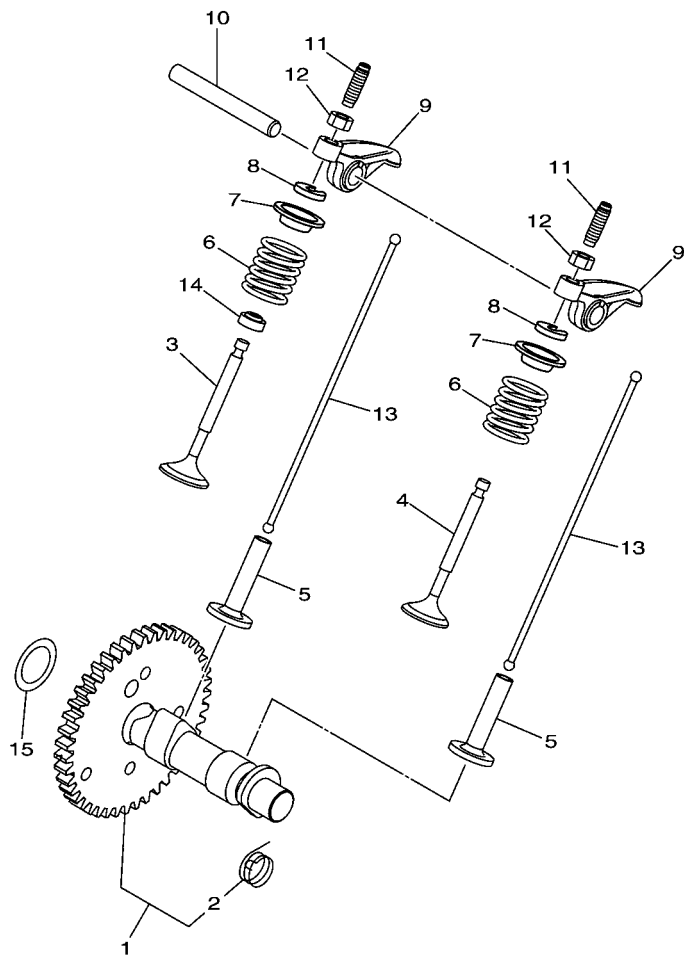
FIG. 2 CRANKSHAFT & PISTON



7DK2110-H020

REF. NO.	PART NO.	DESCRIPTION	DEU	FRA	AUS	KOR	REMARKS
1	7DX-E1400-00	CRANKSHAFT ASSY	1	1	1	1	
2	7DX-E1650-00	CONNECTING ROD ASSY	1	1	1	1	
3	7DX-E1654-00	.BOLT, CONNECTING ROD	2	2	2	2	
4	7DX-E1631-00-A0	PISTON (STD)	1	1	1	1	
	7DX-E1635-00	PISTON (0.25MM O/S)	1	1	1	1	AP
	7DX-E1636-00	PISTON (0.50MM O/S)	1	1	1	1	AP
5	7DX-E1610-00	PISTON RING SET (STD)	1	1	1	1	
	7DX-E1610-10	PISTON RING SET (0.25MM O/S)	1	1	1	1	AP
	7DX-E1610-20	PISTON RING SET (0.50MM O/S)	1	1	1	1	AP
6	7DX-E1633-00	PIN, PISTON	1	1	1	1	
7	93450-13819	CIRCLIP	2	2	2	2	
8	7DX-E1561-00	SHIM, CRANK 1	1	1	1	1	UN

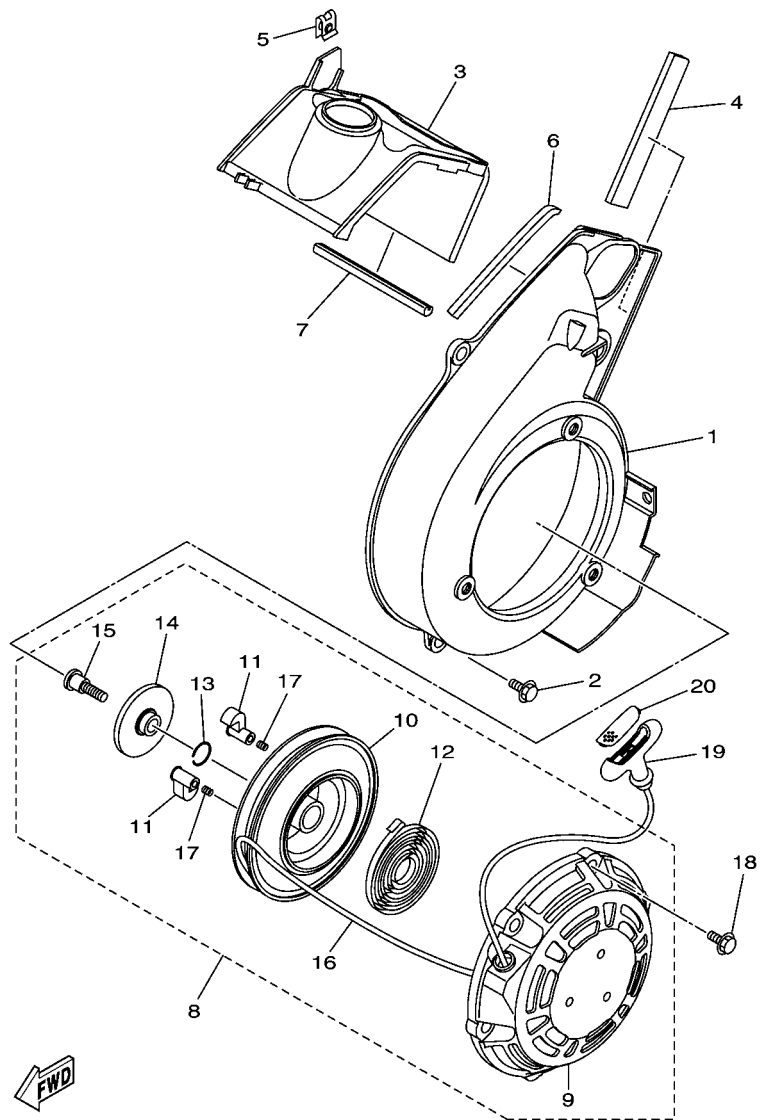
FIG. 3 CAMSHAFT & VALVE



 7DK2110-H030

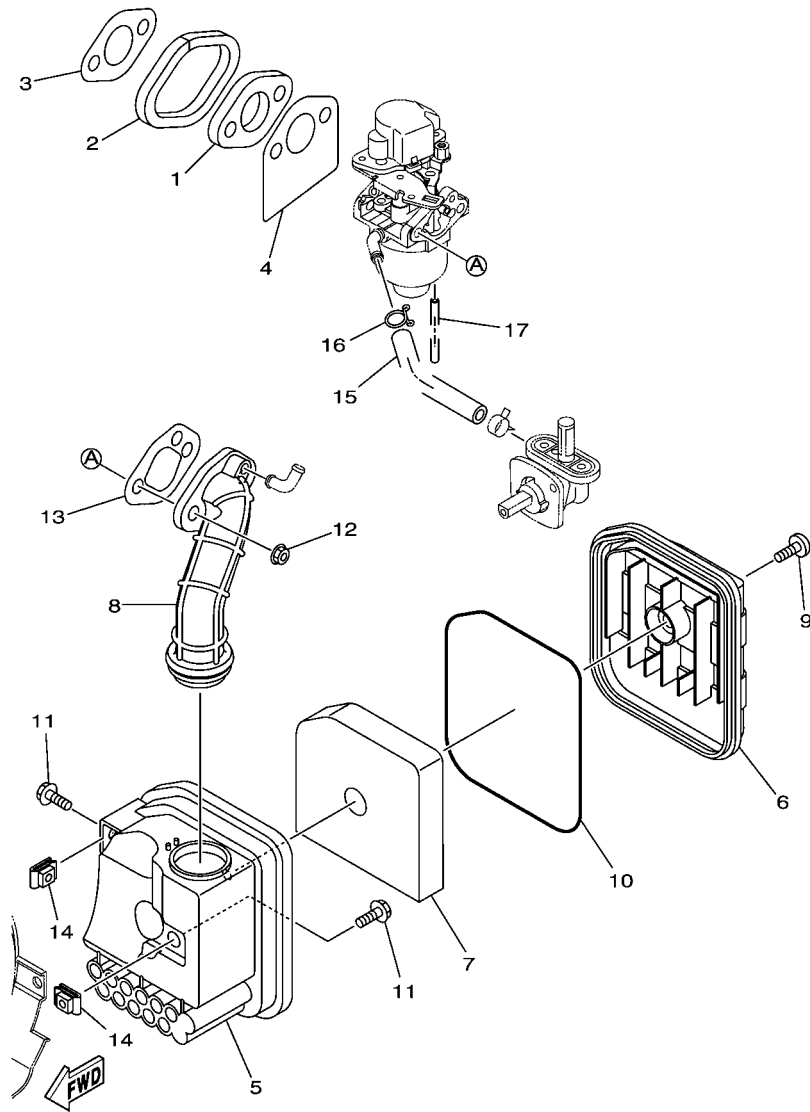
REF. NO.	PART NO.	DESCRIPTION	DEU	FRA	AUS	KOR	REMARKS
1	7DX-E2170-00	CAMSHAFT ASSY 1	1	1	1	1	
2	7DX-E2287-00	.SPRING, DECOMPRESSION	1	1	1	1	
3	7DX-E2111-00	VALVE, INTAKE	1	1	1	1	
4	7DX-E2121-00	VALVE, EXHAUST	1	1	1	1	
5	7DX-E2153-00	LIFTER, VALVE	2	2	2	2	
6	90501-20800	SPRING, COMPRESSION	2	2	2	2	
7	7DX-E2117-00	RETAINER, VALVE SPRING	2	2	2	2	
8	7DX-E2118-00	COTTER, VALVE	2	2	2	2	
9	7DX-E2151-00	ARM, VALVE ROCKER	2	2	2	2	
10	7DX-E2156-00	SHAFT, ROCKER 2	1	1	1	1	
11	7CT-E2159-00	SCREW, VALVE ADJUSTING	2	2	2	2	
12	90170-05806	NUT	2	2	2	2	
13	7DX-E2154-00	ROD, VALVE PUSH	2	2	2	2	
14	7DX-E2119-01	SEAL, VALVE STEM	1	1	1	1	
15	7DX-F5153-00	SHIM, CAMSHAFT	1	1	1	1	

FIG. 4 AIR SHROUD & STARTER



7DK2110-H040

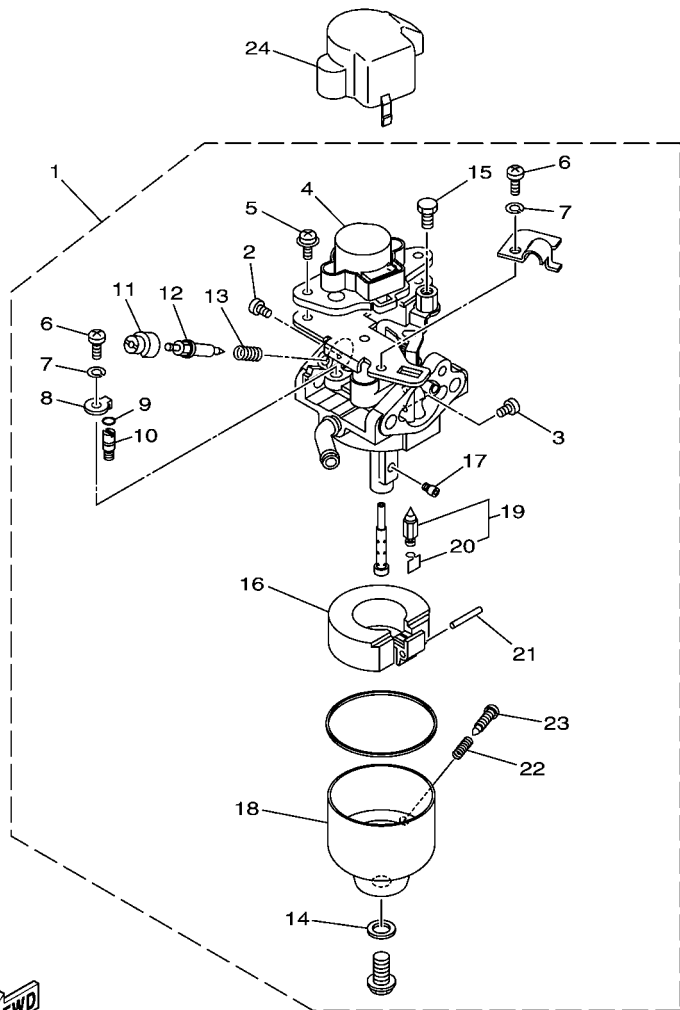
REF. NO.	PART NO.	DESCRIPTION	DEU	FRA	AUS	KOR	REMARKS
1	7DX-E2621-00	CASE, FAN	1	1	1	1	
2	95807-06016	BOLT, FLANGE	4	4	4	4	
3	7DX-E2651-00	AIR SHROUD, CYLINDER 1	1	1	1	1	
4	90520-05800	DAMPER, PLATE	1	1	1	1	
5	7DX-E261D-00	NUT SPRING 1	1	1	1	1	
6	7CP-E262J-00	PAD, FAN CASE 3	1	1	1	1	
7	90520-05801	DAMPER, PLATE	1	1	1	1	
8	7DX-E5710-00	STARTER ASSY	1	1	1	1	
9	7DX-E5711-00	.CASE, STARTER	1	1	1	1	
10	7DX-E5714-00	.DRUM, SHEAVE	1	1	1	1	
11	7CN-E5741-01	.PAWL, DRIVE	2	2	2	2	
12	7CN-E5713-00	.SPRING, STARTER	1	1	1	1	
13	7CN-E5715-00	.SPRING, FRICTION	1	1	1	1	
14	7DX-E5716-00	.PLATE, DRIVE	1	1	1	1	
15	7DX-E5751-00	.SCREW	1	1	1	1	
16	7DX-E5755-00	.WIRE, STARTER	1	1	1	1	
17	7DX-E5734-00	.SPRING, RETURN	2	2	2	2	
18	95807-06016	BOLT, FLANGE	3	3	3	3	
19	7DK-15755-00	HANDLE, STARTER	1	1	1	1	
20	7DK-15720-00	CAP, HANDLE	1	1	1	1	



7DK3300-H050

FIG. 5 INTAKE

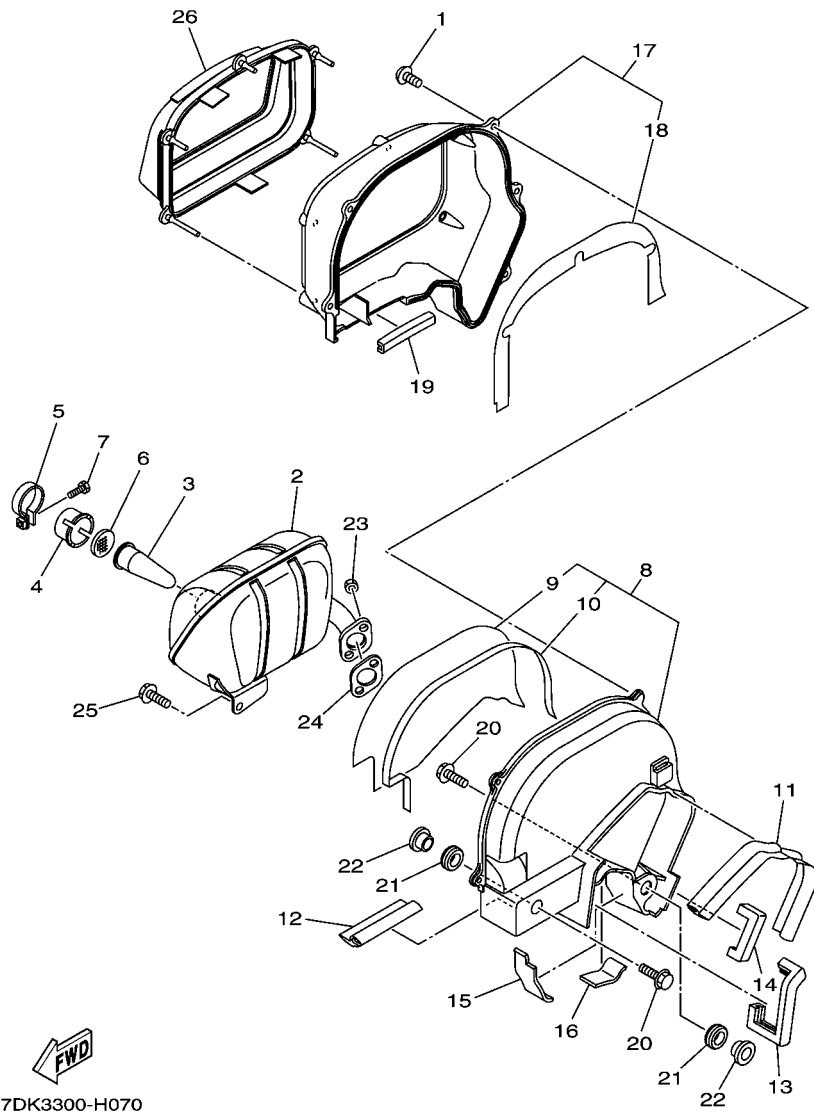
REF. NO.	PART NO.	DESCRIPTION	DEU	FRA	AUS	KOR	REMARKS
1	7DX-E3595-00	JOINT	1	1	1	1	
2	7DX-E3593-00	DAMPER	1	1	1	1	
3	7DX-E3556-00	GASKET, MANIFOLD	1	1	1	1	
4	7DX-E3556-10	GASKET, MANIFOLD	1	1	1	1	
5	7DX-E4411-00	CASE, AIR CLEANER 1	1	1	1	1	
6	7DX-E4412-00	CAP, CLEANER CASE 1	1	1	1	1	
7	7DX-E4451-00	ELEMENT, AIR CLEANER	1	1	1	1	
8	7DX-E4453-01	JOINT, AIR CLEANER 1	1	1	1	1	
9	90154-06823	SCREW, BINDING	1	1	1	1	
10	7DX-E4467-00	SEAL	1	1	1	1	
11	95807-06020	BOLT, FLANGE	2	2	2	2	
12	95707-06500	NUT, FLANGE	2	2	2	2	
13	7DX-E4416-00	GASKET, AIR CLEANER	1	1	1	1	
14	90183-06808	NUT, SPRING	2	2	2	2	
15	7DX-F4311-00	PIPE, FUEL 1	1	1	1	1	
16	90467-09804	CLIP	1	1	1	1	
17	7DK-14148-00	PIPE	1	1	1	1	



7DK2110-H061

FIG. 6 CARBURETOR

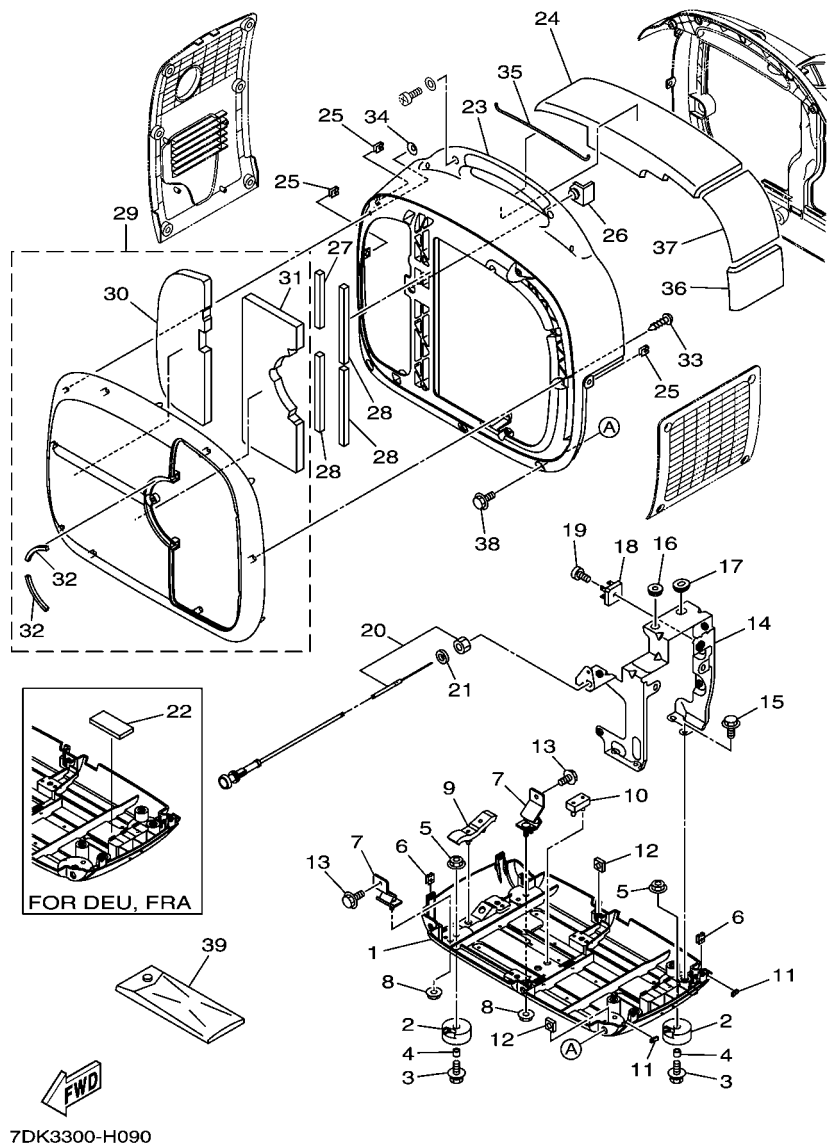
REF. NO.	PART NO.	DESCRIPTION	DEU	FRA	AUS	KOR	REMARKS
1	7DX-E4101-00	CARBURETOR ASSY 1	1	1	1	1	
2	7RH-14216-00	.SCREW	1	1	1	1	
3	7RH-14486-00	.SCREW, ROD	2	2	2	2	
4	7DK-81802-00	.MOTOR UNIT ASSY	1	1	1	1	
5	4SV-24453-00	.SCREW	2	2	2	2	
6	98507-05008	.SCREW, PAN HEAD	2	2	2	2	
7	92990-05100	.WASHER, SPRING	2	2	2	2	
8	7CU-E4527-00	.PLATE	1	1	1	1	
9	2H0-14147-00	.O-RING	1	1	1	1	
10	7CU-E4142-37-A0	.JET, PILOT (#37.5)	1	1	1	1	
11	7CP-E4118-00	.CAP	1	1	1	1	
12	7CU-E4211-00	.SCREW, PILOT ADJUSTING	1	1	1	1	
13	73A-14212-10	.SPRING	1	1	1	1	
14	7G0-14227-00	.WASHER	1	1	1	1	
15	78G-14496-00	.BOLT	1	1	1	1	
16	7EG-14185-00	.FLOAT	1	1	1	1	
17	1HX-1423A-64-A0	.JET, MAIN (#67.5)	1	1	1	1	
18	7TD-14181-00	.BODY, FLOAT CHAMBER 1	1	1	1	1	
19	7LG-14150-11	.NEEDLE ASSY	1	1	1	1	
20	7EG-14159-00	..CLIP	1	1	1	1	
21	7CN-E4186-00	.PIN, FLOAT	1	1	1	1	
22	73A-14212-00	.SPRING	1	1	1	1	
23	7E1-14191-00	.PLUG, DRAIN	1	1	1	1	
24	7DK-14293-00	COVER 1	1	1	1	1	



7DK3300-H070

FIG. 7 EXHAUST

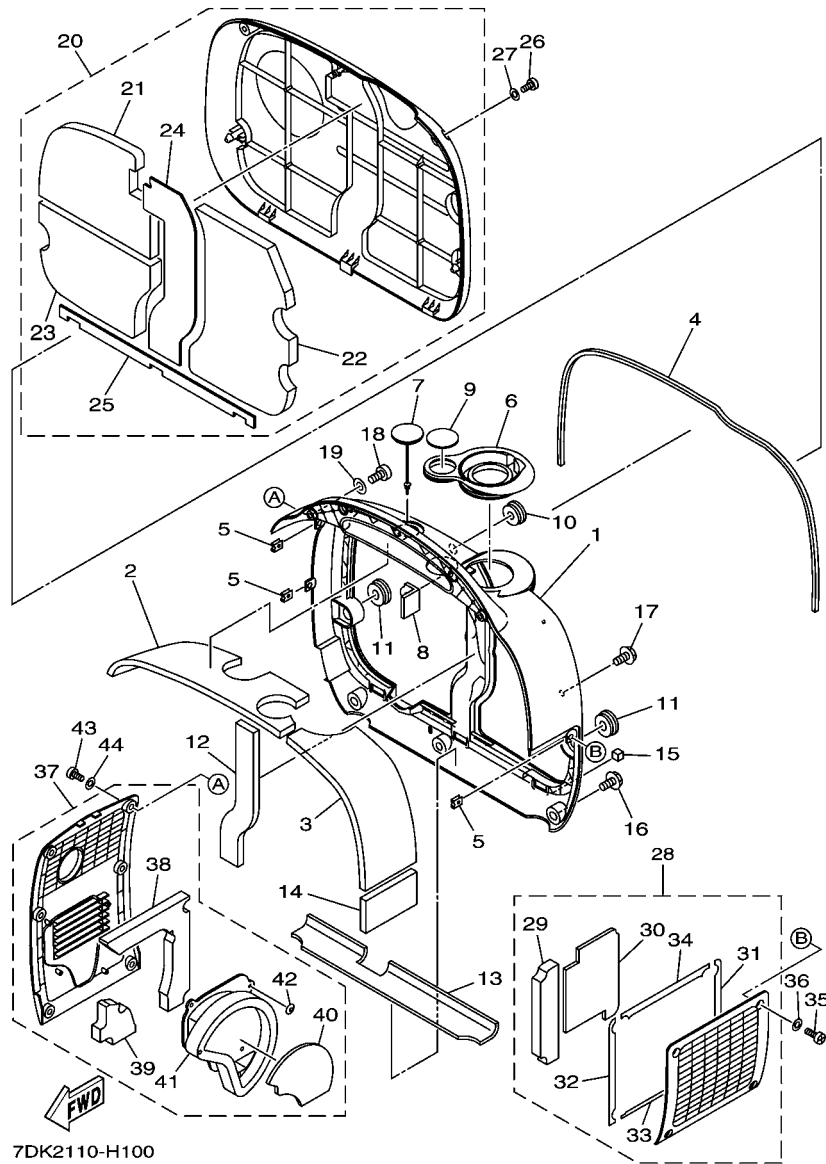
REF. NO.	PART NO.	DESCRIPTION	DEU	FRA	AUS	KOR	REMARKS
1	97702-50014	SCREW, TAPPING	5	5	5	5	
2	7DX-E4721-00	MUFFLER 2	1	1	1	1	
3	7DX-E4786-00	ARRESTER, SPARK	1	1	1	1	
4	7CA-E4799-00	CAP	1	1	1	1	
5	7CA-E4788-00	BAND, SILENCER	1	1	1	1	
6	7CA-E479E-00	NET, WIRE 2	1	1	1	1	
7	90153-05800	SCREW, HEXAGON	1	1	1	1	
8	7DX-E471C-00	PROTECTOR ASSY 1	1	1	1	1	
9	7DX-E2684-00	.DAMPER, DUCT 1	1	1	1	1	
10	7DX-E2686-00	.DAMPER, DUCT 3	1	1	1	1	
11	7DX-E4452-00	SEAL	1	1	1	1	
12	7DX-E4457-00	SEAL	1	1	1	1	
13	7DX-E5494-00	SEAL, PROTECTOR	1	1	1	1	
14	7DX-E5495-00	SEAL, PROTECTOR 1	1	1	1	1	
15	7DX-E5496-00	SEAL, PROTECTOR 2	1	1	1	1	
16	7DX-E549D-00	SEAL, PROTECTOR	1	1	1	1	
17	7DX-E472C-00	PROTECTOR ASSY., 2	1	1	1	1	
18	7DX-E2685-00	.DAMPER, DUCT 2	1	1	1	1	
19	7DX-E5495-00	SEAL, PROTECTOR 1	1	1	1	1	
20	95827-06016	BOLT, FLANGE	2	2	2	2	
21	90480-12237	GROMMET	2	2	2	2	
22	90387-088V6	COLLAR	2	2	2	2	
23	95307-06600	NUT	2	2	2	2	
24	7DX-E4613-00	GASKET, EXHAUST PIPE	1	1	1	1	
25	95827-06014	BOLT, FLANGE	1	1	1	1	
26	7DX-E2691-00	DUCT, 1	1	1	1	1	



7DK3300-H090

FIG. 9 FRAME

REF. NO.	PART NO.	DESCRIPTION	DEU	FRA	AUS	KOR	REMARKS
1	7DK-22881-00	BASE, MOUNTING	1	1	1	1	
2	7DK-22895-00	INSULATOR, MOUNTING	4	4	4	4	
3	90119-06147	BOLT, WITH WASHER	4	4	4	4	
4	90387-063K3	COLLAR	4	4	4	4	
5	95702-06500	NUT, FLANGE	4	4	4	4	
6	90183-05061	NUT, SPRING	4	4	4	4	
7	7DK-22891-00	INSULATOR, MOUNTING	4	4	4	4	
8	95702-06500	NUT, FLANGE	4	4	4	4	
9	7DK-22275-00	DAMPER, STOPPER	1	1	1	1	
10	7DK-22218-00	DAMPER, SHOCK ABSORBER LOWER	1	1	1	1	
11	90520-03006	DAMPER, PLATE	2	2	2	2	
12	90173-06008	NUT, SQUARE	6	6	6	6	
13	95812-06012	BOLT, FLANGE	4	4	4	4	
14	7DK-24191-00	BRACKET, FUEL TANK 1	1	1	1	1	
15	95802-06010	BOLT, FLANGE	4	4	4	4	
16	90480-13567	GROMMET	1	1	1	1	
17	90480-01558	GROMMET	1	1	1	1	
18	7VU-87105-00	RECTIFIER ASSY 1	1	1	1	1	
19	98502-05014	SCREW, PAN HEAD	1	1	1	1	
20	7DK-26331-00	CABLE, STARTER 1	1	1	1	1	
21	90201-11597	WASHER, PLATE	1	1	1	1	
22	7DK-22483-00	DAMPER 1	1	1			
23	7DK-22865-00	COVER, FRONT	1	1	1	1	
24	7DK-22873-00	SEAL 1	1	1	1	1	
25	90183-05061	NUT, SPRING	3	3	3	3	
26	7DK-2282E-90	STOPPER	1	1			
	7DK-2282E-00	STOPPER			1	1	



7DK2110-H100

FIG. 10 FRAME 2

REF. NO.	PART NO.	DESCRIPTION	DEU	FRA	AUS	KOR	REMARKS
1	7DK-22866-00	COVER, REAR	1	1	1	1	
2	7DK-22876-00	SEAL 4	1	1	1	1	
3	7DK-22886-00	SEAL 9	1	1	1	1	
4	90520-04003	DAMPER, PLATE	1	1	1	1	
5	90183-05061	NUT, SPRING	3	3	3	3	
6	7DK-2419A-00	HOLDER	1	1	1	1	
7	7DK-22855-00	COVER 2	1	1	1	1	
8	7DK-2282E-90	STOPPER	1	1			
	7DK-2282E-00	STOPPER			1	1	
9	7WL-21764-00	LENS, LEVEL GAUGE	1	1	1	1	
10	90480-13398	GROMMET	1	1	1	1	
11	90480-01559	GROMMET	2	2	2	2	
12	7DK-2289F-00	SEAL 17	1	1	1	1	
13	7DK-2289G-00	SEAL 18	1	1	1	1	
14	90520-15003	DAMPER, PLATE	1	1	1	1	
15	90520-04004	DAMPER, PLATE	1	1	1	1	
16	90109-063F5	BOLT	3	3	3	3	
17	95802-06010	BOLT, FLANGE	1	1	1	1	
18	98507-05012	SCREW, PAN HEAD	4	4	4	4	
19	92907-05600	WASHER, PLATE	4	4	4	4	
20	7DK-228D0-00	COVER ASSY 4	1	1	1	1	
21	7DK-22877-00	.SEAL, 5	1	1	1	1	
22	7DK-22878-00	.SEAL 6	1	1	1	1	
23	7DK-2289H-00	.SEAL 19	1	1	1	1	
24	7DK-2289J-00	.SEAL 20	1	1	1	1	
25	7DK-2289K-00	.SEAL 21	1	1	1	1	
26	98507-05012	SCREW, PAN HEAD	2	2	2	2	

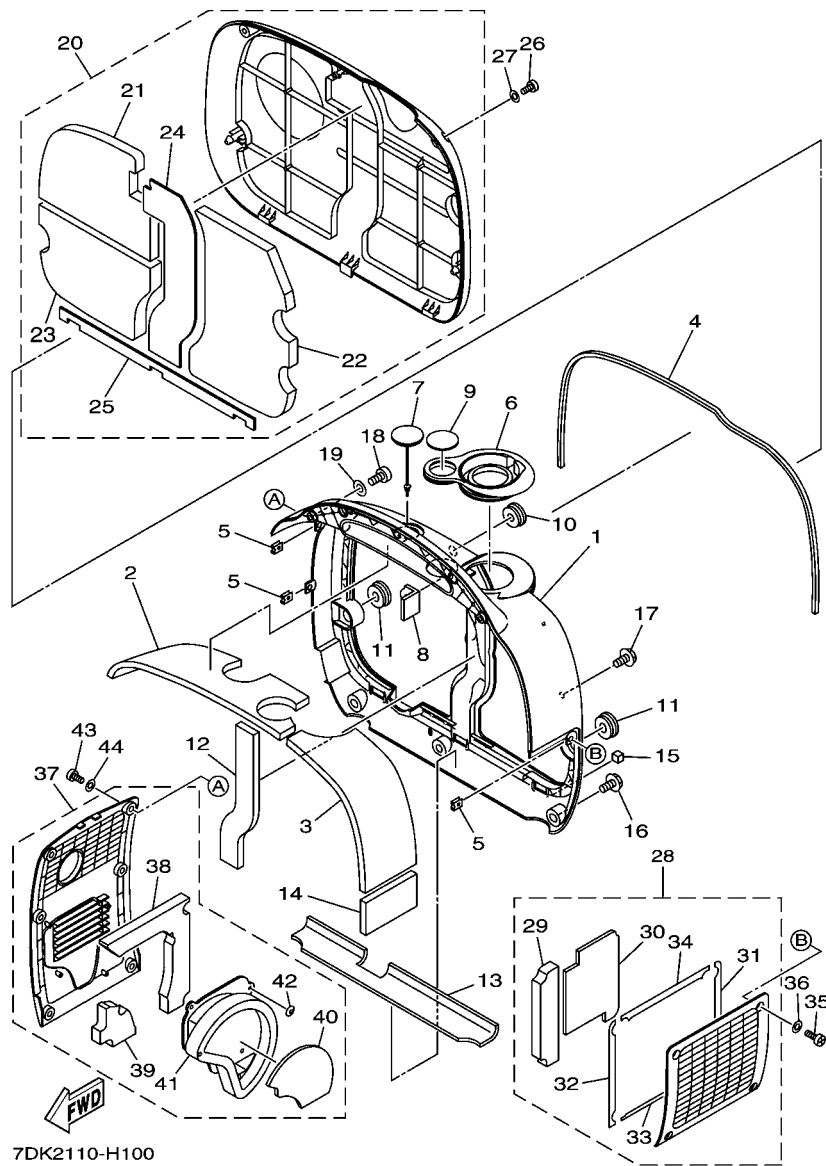
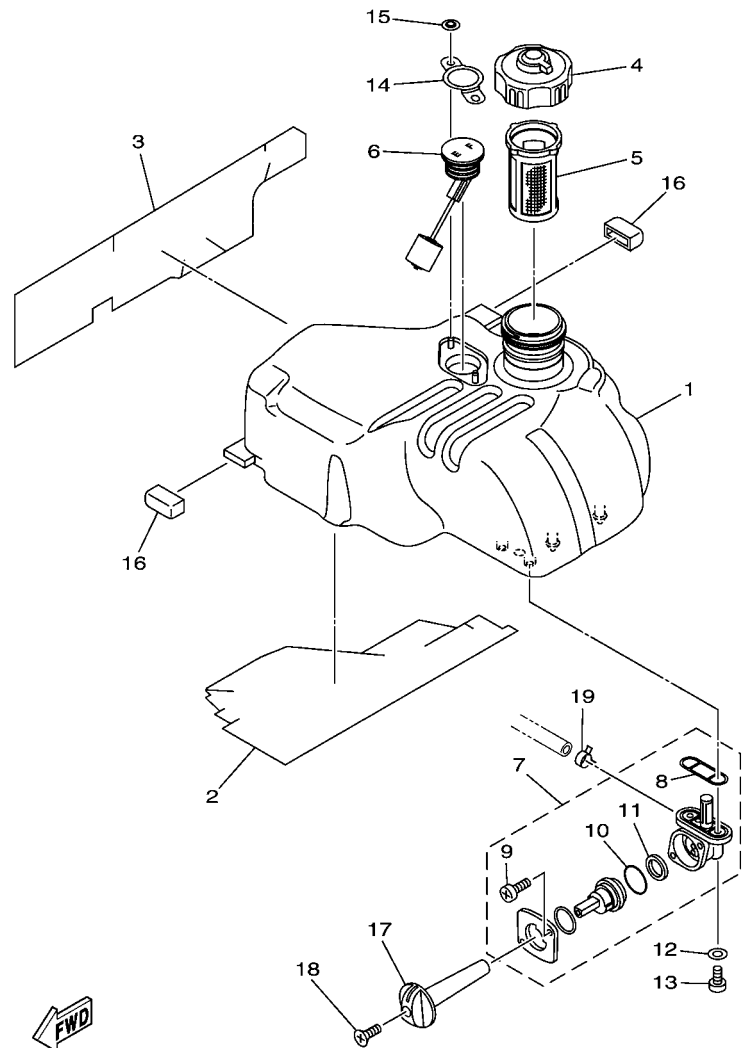


FIG. 10 FRAME 2

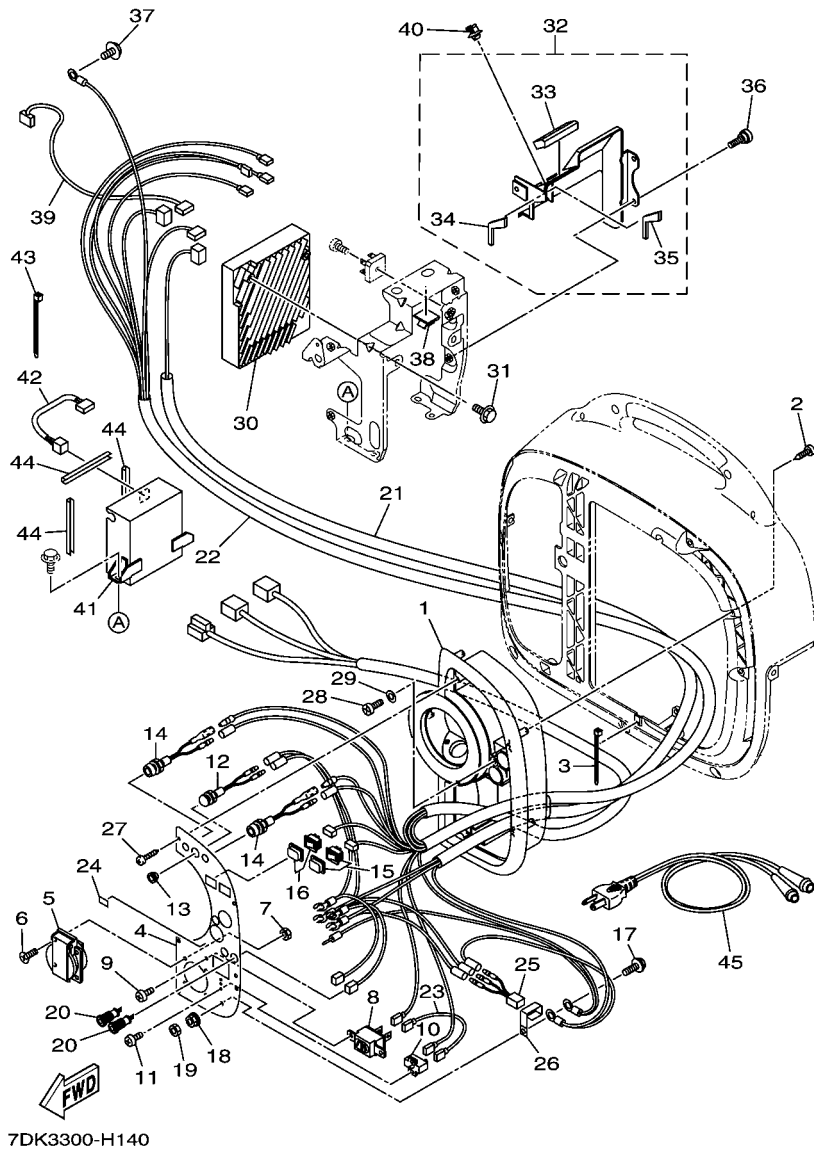
REF. NO.	PART NO.	DESCRIPTION	DEU	FRA	AUS	KOR	REMARKS
27	92907-05600	WASHER, PLATE	2	2	2	2	
28	7DK-228E0-00	COVER ASSY 5	1	1	1	1	
29	7DK-22879-00	.SEAL, 7	1	1	1	1	
30	7DK-2289M-00	.SEAL 23	1	1	1	1	
31	7DK-2281K-00	.SEAL, RUBBER 7	1	1	1	1	
32	7DK-2281L-00	.SEAL, RUBBER 8	1	1	1	1	
33	7DK-2281M-00	.SEAL, RUBBER 9	1	1	1	1	
34	7DK-2281N-00	.SEAL, RUBBER 10	1	1	1	1	
35	98507-05012	SCREW, PAN HEAD	4	4	4	4	
36	92907-05600	WASHER, PLATE	4	4	4	4	
37	7DK-228F0-00	COVER ASSY 6	1	1	1	1	
38	7DK-22885-00	.SEAL 8	1	1	1	1	
39	7DK-22888-00	.SEAL 11	1	1	1	1	
40	7DK-22889-00	.SEAL 12	1	1	1	1	
41	7DK-2286A-00	.DUCT 1	1	1	1	1	
42	90183-05004	.NUT, SPRING	4	4	4	4	
43	98507-05012	SCREW, PAN HEAD	6	6	6	6	
44	92907-05600	WASHER, PLATE	6	6	6	6	




 7DK2110-H110

FIG. 11 FUEL TANK

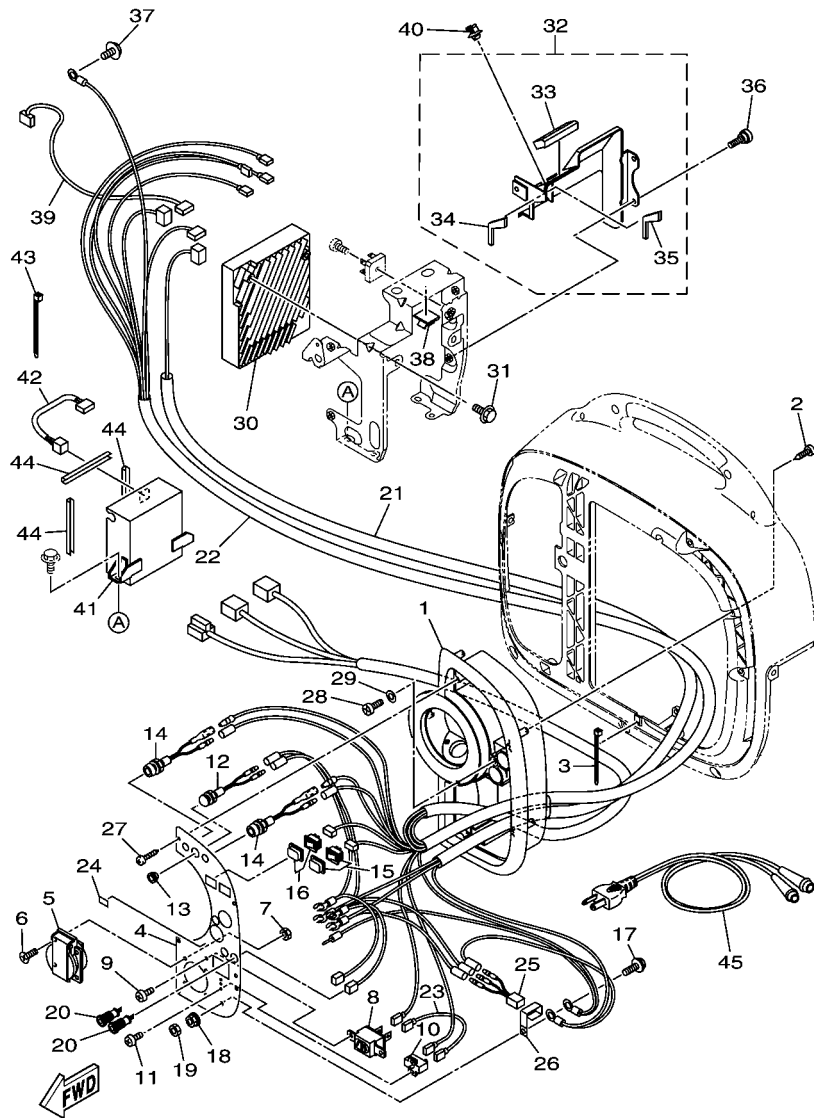
REF. NO.	PART NO.	DESCRIPTION	DEU	FRA	AUS	KOR	REMARKS
1	7DK-24110-10	FUEL TANK COMP.	1	1	1	1	
2	7DK-24141-00	PROTECTOR, FUEL TANK	1	1	1	1	
3	7DK-24129-00	COVER, SIDE 1	1	1	1	1	
4	7DK-24610-02	CAP ASSY	1	1	1	1	
5	7CG-24167-00	STRAINER	1	1	1	1	
6	7F7-85710-02	FUEL LEVEL GAUGE ASSY	1	1	1	1	
7	7CF-24500-00	FUEL COCK ASSY 1	1	1	1	1	
8	7CF-24512-00	.O-RING	1	1	1	1	
9	98502-03008	.SCREW, PAN HEAD	2	2	2	2	
10	3AJ-24534-01	.SEAL, COCK	1	1	1	1	
11	3AC-24523-00	.VALVE PACKING	1	1	1	1	
12	90202-05193	WASHER, PLATE	2	2	2	2	
13	90149-06011	SCREW	2	2	2	2	
14	7DK-2413X-00	PLATE	1	1	1	1	
15	90183-05004	NUT, SPRING	2	2	2	2	
16	7DK-24181-00	DAMPER, LOCATING 1	2	2	2	2	
17	7DK-24524-00	LEVER, COCK	1	1	1	1	
18	98707-04020	SCREW, FLAT HEAD	1	1	1	1	
19	90467-09037	CLIP	1	1	1	1	



7DK3300-H140

FIG. 14 CONTROL BOX 1

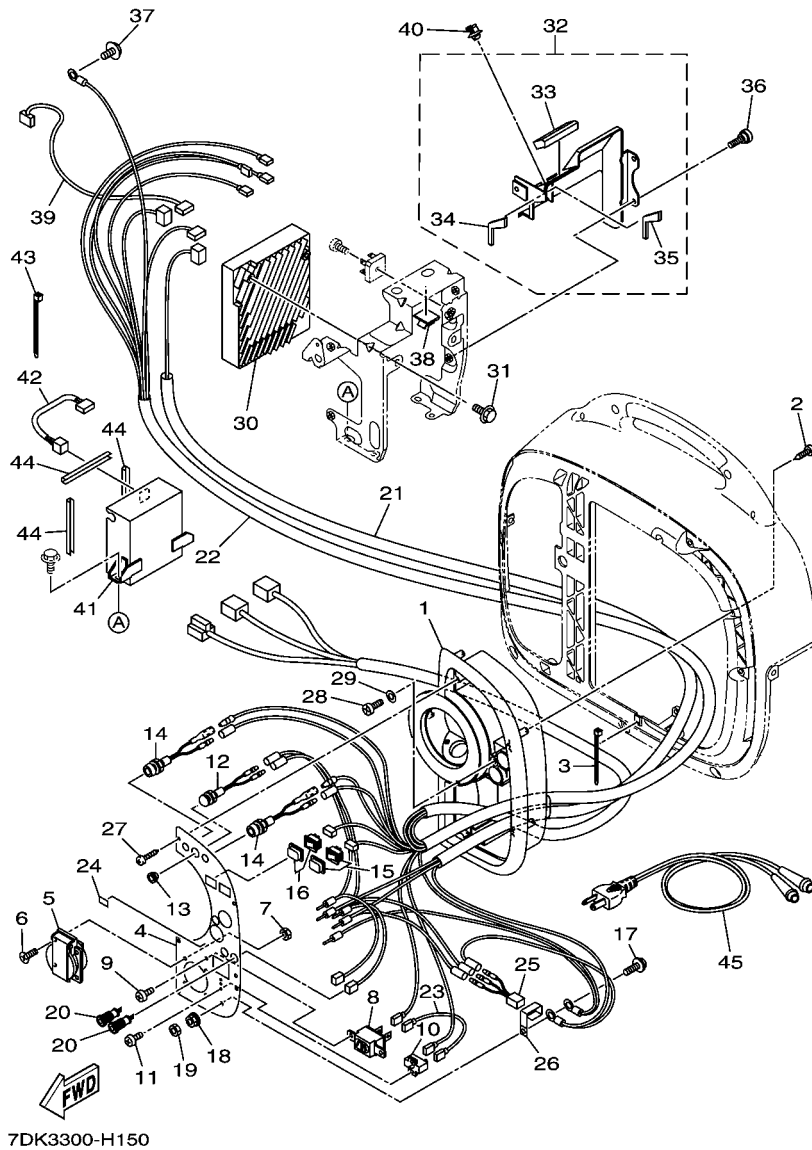
REF. NO.	PART NO.	DESCRIPTION	DEU	FRA	AUS	KOR	REMARKS
1	7DK-87201-01	CONTROL BOX COMP.	1				
2	97702-50016	SCREW, TAPPING	5				
3	90465-13M11	CLAMP	1				
4	7DK-87249-30	PLATE	1				
5	7H7-87221-80	RECEPTACLE 1 (ABL 6995)	1				
6	90151-03032	SCREW, COUNTERSUNK	4				
7	90179-03478	NUT	4				
8	7LG-87239-00	RECEPTACLE COMP. (DC 24V-12A)	1				NIPPON LOCK
9	98507-04008	SCREW, PAN HEAD	2				
10	7VV-82181-00	CIRCUIT BREAKER COMP. (8A)	1				HOSIDEN
11	98507-03008	SCREW, PAN HEAD	2				
12	7CH-83530-G0	PILOT LIGHT ASSY	1				UR
	7NJ-83530-G0	PILOT LIGHT ASSY	1				UR
13	90480-13012	GROMMET	1				
14	7CH-83582-C1	PILOT LIGHT ASSY	2				
15	7CG-82550-C0	ENGINE STOP SWITCH ASSY	1				(RED)
16	7XX-82550-00	ENGINE STOP SWITCH ASSY	1				ECON. SW. (BLACK)
17	97080-05016	BOLT	1				
18	95702-05500	NUT, FLANGE	1				
19	95380-05700	NUT	1				
20	7CF-87231-00	TERMINAL 1	2				
21	7DK-87226-90	WIRE HARNESS ASSY	1				
22	7DK-8722J-90	WIRE, LEAD	1				
23	7WL-8722Y-00	WIRE, LEAD 4	1				
24	7CF-84306-30	LABEL, CAUTION	1				
25	7NJ-88188-00	FILTER, NOISE	1				
26	90462-05061	CLAMP	1				



7DK3300-H140

FIG. 14 CONTROL BOX 1

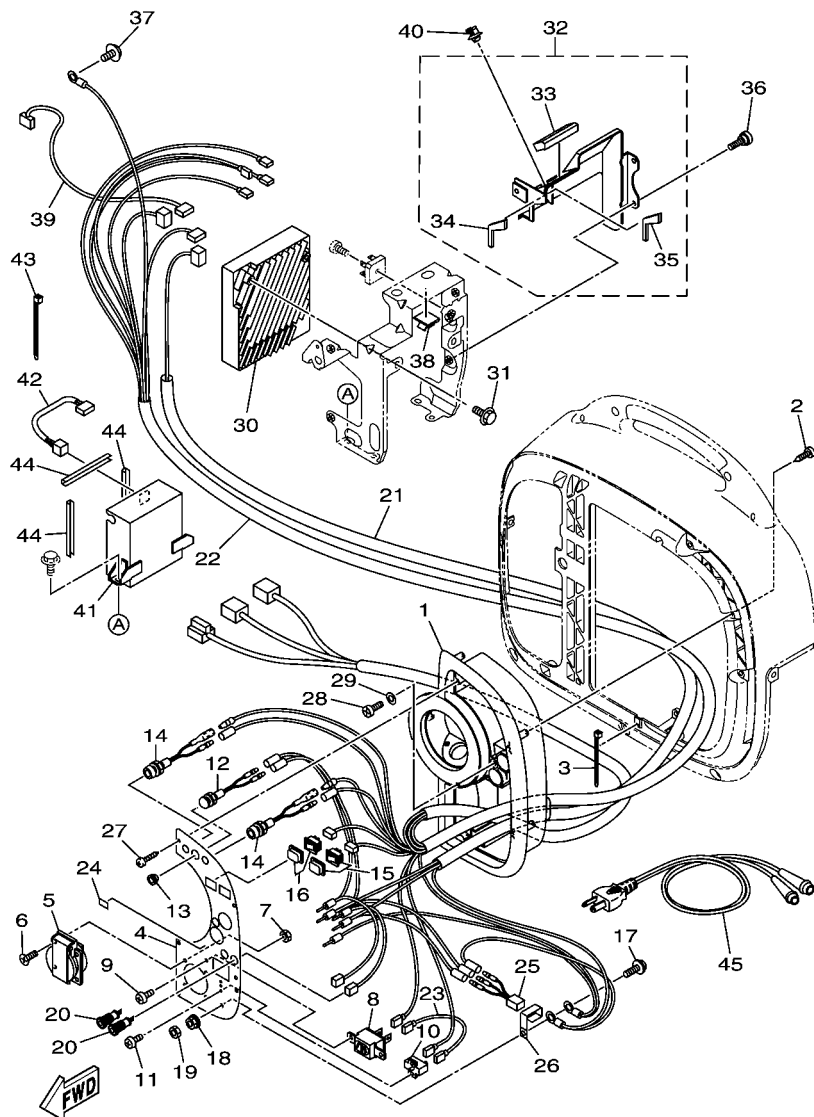
REF. NO.	PART NO.	DESCRIPTION	DEU	FRA	AUS	KOR	REMARKS
27	97707-40516	SCREW, TAPPING	5				
28	98507-05012	SCREW, PAN HEAD	1				
29	92907-05600	WASHER, PLATE	1				
30	7DK-8A210-20	CONTROL UNIT	1				
31	95802-06010	BOLT, FLANGE	2				
32	7DK-228G0-90	COVER ASSY 7	1				
33	90520-10003	.DAMPER, PLATE	1				
34	7DK-2289N-00	.SEAL 24	1				
35	7DK-2289R-00	.SEAL 25	1				
36	7CF-23119-00	PLUG, DRAIN	3				
37	95807-06010	BOLT, FLANGE	1				
38	90464-07002	CLAMP	1				
39	7DK-88189-10	WIRE, SUB LEAD	1				
40	90464-05002	CLAMP	1				
41	7DK-88188-00	FILTER, NOISE	1				
42	7DK-87223-90	WIRE, LEAD 1	1				
43	90465-13M36	CLAMP	1				
44	7DK-22831-00	STAY 1	3				
45	7LG-87209-00	CHARGE CORD ASSY	1				



7DK3300-H150

FIG. 15 CONTROL BOX 2

REF. NO.	PART NO.	DESCRIPTION	DEU	FRA	AUS	KOR	REMARKS
1	7DK-87201-01	CONTROL BOX COMP.		1			
2	97702-50016	SCREW, TAPPING		5			
3	90465-13M11	CLAMP		1			
4	7DK-87249-30	PLATE		1			
5	7CF-87221-60	RECEPTACLE 1(1462002 250V-16A)		1			ABL
6	90151-03032	SCREW, COUNTERSUNK		4			
7	90179-03478	NUT		4			
8	7LG-87239-00	RECEPTACLE COMP. (DC 24V-12A)		1			NIPPON LOCK
9	98507-04008	SCREW, PAN HEAD		2			
10	7VV-82181-00	CIRCUIT BREAKER COMP. (8A)		1			HOSIDEN
11	98507-03008	SCREW, PAN HEAD		2			
12	7CH-83530-G0	PILOT LIGHT ASSY		1			UR
	7NJ-83530-G0	PILOT LIGHT ASSY		1			UR
13	90480-13012	GROMMET		1			
14	7CH-83582-C1	PILOT LIGHT ASSY		2			
15	7CG-82550-C0	ENGINE STOP SWITCH ASSY		1			(RED)
16	7XX-82550-00	ENGINE STOP SWITCH ASSY		1			ECON. SW. (BLACK)
17	97080-05016	BOLT		1			
18	95702-05500	NUT, FLANGE		1			
19	95380-05700	NUT		1			
20	7CF-87231-00	TERMINAL 1		2			
21	7DK-87226-60	WIRE HARNESS ASSY		1			
22	7DK-8722J-90	WIRE, LEAD		1			
23	7WL-8722Y-00	WIRE, LEAD 4		1			
24	7CF-84306-30	LABEL, CAUTION		1			
25	7NJ-88188-00	FILTER, NOISE		1			
26	90462-05061	CLAMP		1			



7DK3300-H150

FIG. 15 CONTROL BOX 2

REF. NO.	PART NO.	DESCRIPTION	DEU	FRA	AUS	KOR	REMARKS
27	97707-40516	SCREW, TAPPING			5		
28	98507-05012	SCREW, PAN HEAD		1			
29	92907-05600	WASHER, PLATE		1			
30	7DK-8A210-20	CONTROL UNIT		1			
31	95802-06010	BOLT, FLANGE			2		
32	7DK-228G0-90	COVER ASSY 7		1			
33	90520-10003	.DAMPER, PLATE		1			
34	7DK-2289N-00	.SEAL 24		1			
35	7DK-2289R-00	.SEAL 25		1			
36	7CF-23119-00	PLUG, DRAIN			3		
37	95807-06010	BOLT, FLANGE		1			
38	90464-07002	CLAMP		1			
39	7DK-88189-10	WIRE, SUB LEAD		1			
40	90464-05002	CLAMP		1			
41	7DK-88188-00	FILTER, NOISE		1			
42	7DK-87223-90	WIRE, LEAD 1		1			
43	90465-13M36	CLAMP		1			
44	7DK-22831-00	STAY 1		3			
45	7LG-87209-00	CHARGE CORD ASSY		1			

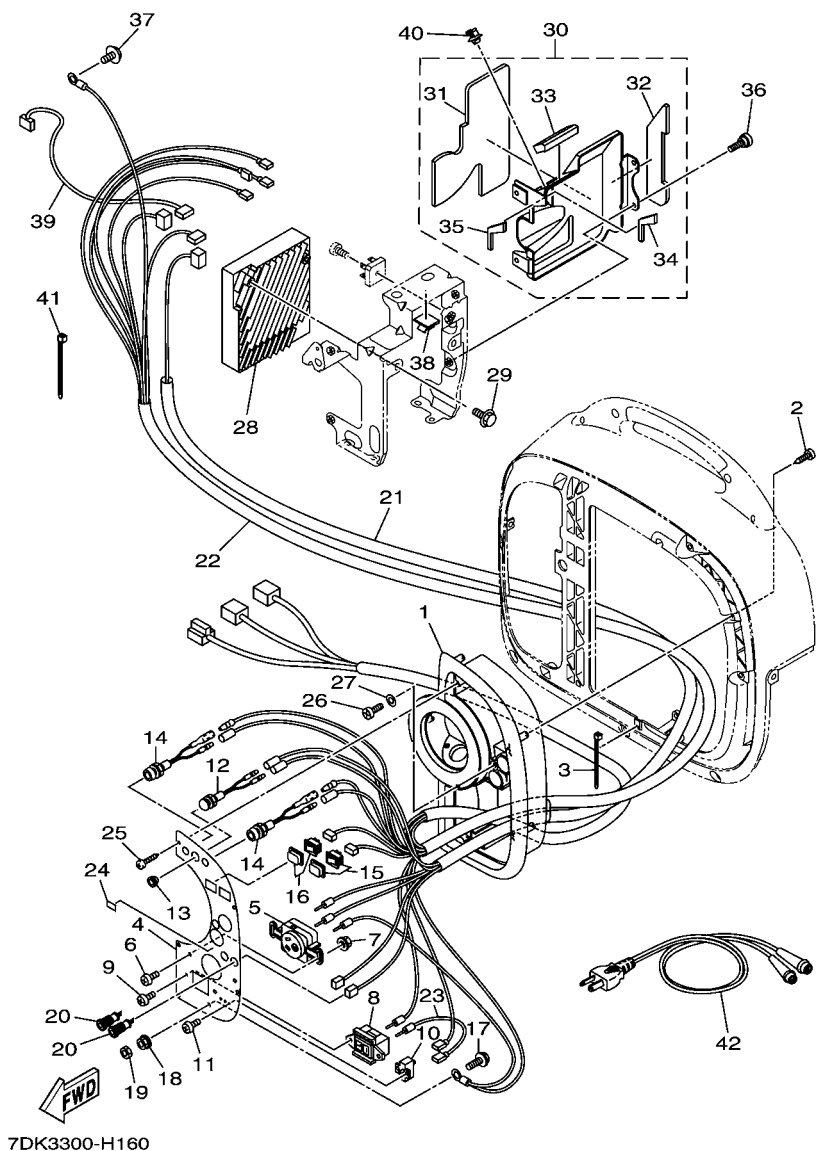


FIG. 16 CONTROL BOX 3

REF. NO.	PART NO.	DESCRIPTION	DEU	FRA	AUS	KOR	REMARKS
1	7DK-87201-01	CONTROL BOX COMP.			1		
2	97702-50016	SCREW, TAPPING			5		
3	90465-13M11	CLAMP			1		
4	7DK-87249-N0	PLATE			1		
5	73G-87221-90	RECEPTACLE 1 (CRIPSAL 415/15)			1		
6	98507-04012	SCREW, PAN HEAD			2		
7	95702-04500	NUT, FLANGE			2		
8	7H8-87214-11	RECEPTACLE COMP. (WCZ 1220-125)			1		PANASONIC
9	98507-04008	SCREW, PAN HEAD			2		
10	7VV-82181-00	CIRCUIT BREAKER COMP. (8A)			1		HOSIDEN
11	98507-03008	SCREW, PAN HEAD			2		
12	7CH-83530-G0	PILOT LIGHT ASSY			1		UR
	7NJ-83530-G0	PILOT LIGHT ASSY			1		UR
13	90480-13012	GROMMET			1		
14	7CH-83582-C1	PILOT LIGHT ASSY			2		
15	7CG-82550-C0	ENGINE STOP SWITCH ASSY			1		(RED)
16	7XX-82550-00	ENGINE STOP SWITCH ASSY			1		ECON. SW. (BLACK)
17	97080-05016	BOLT			1		
18	95702-05500	NUT, FLANGE			1		
19	95380-05700	NUT			1		
20	7CF-87231-00	TERMINAL 1			2		
21	7DK-87226-N0	WIRE HARNESS ASSY			1		
22	7DK-8722J-N0	WIRE, LEAD			1		
23	7WL-8722Y-N0	WIRE, LEAD 4			1		
24	7CF-84306-30	LABEL, CAUTION			1		
25	97707-40516	SCREW, TAPPING			5		
26	98507-05012	SCREW, PAN HEAD			1		

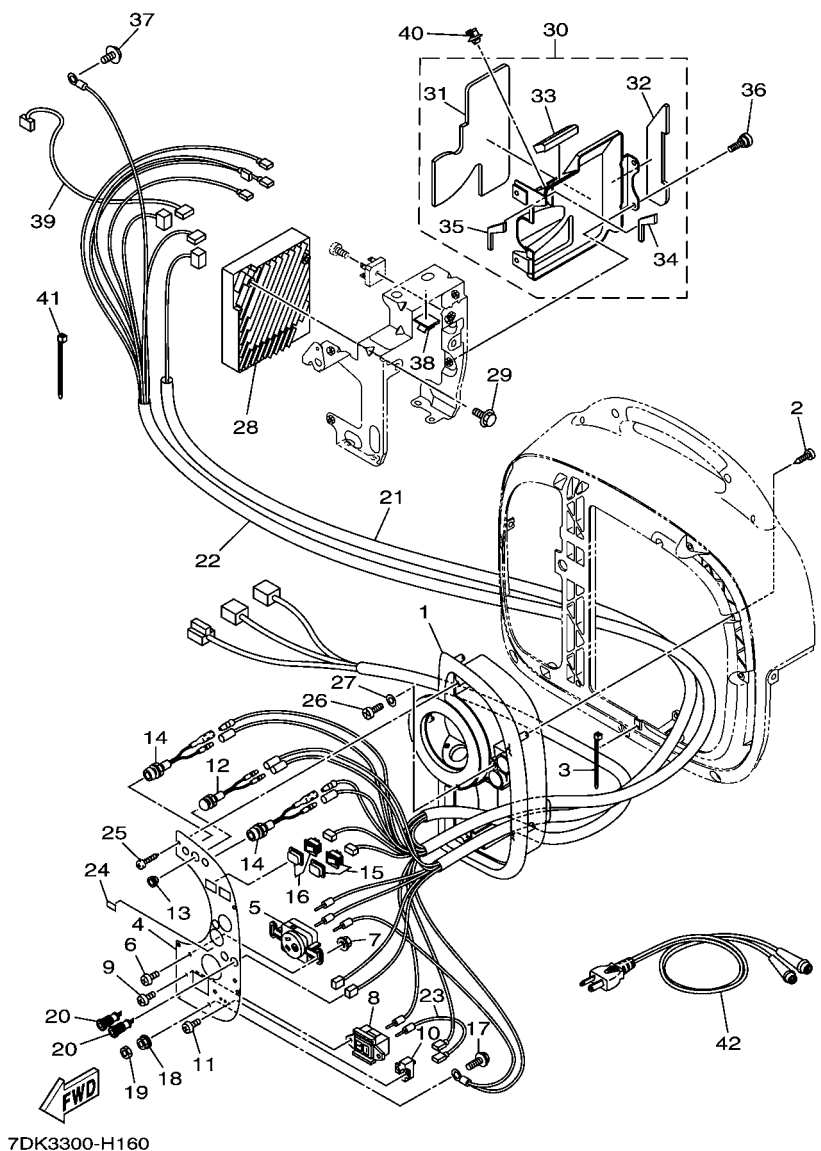
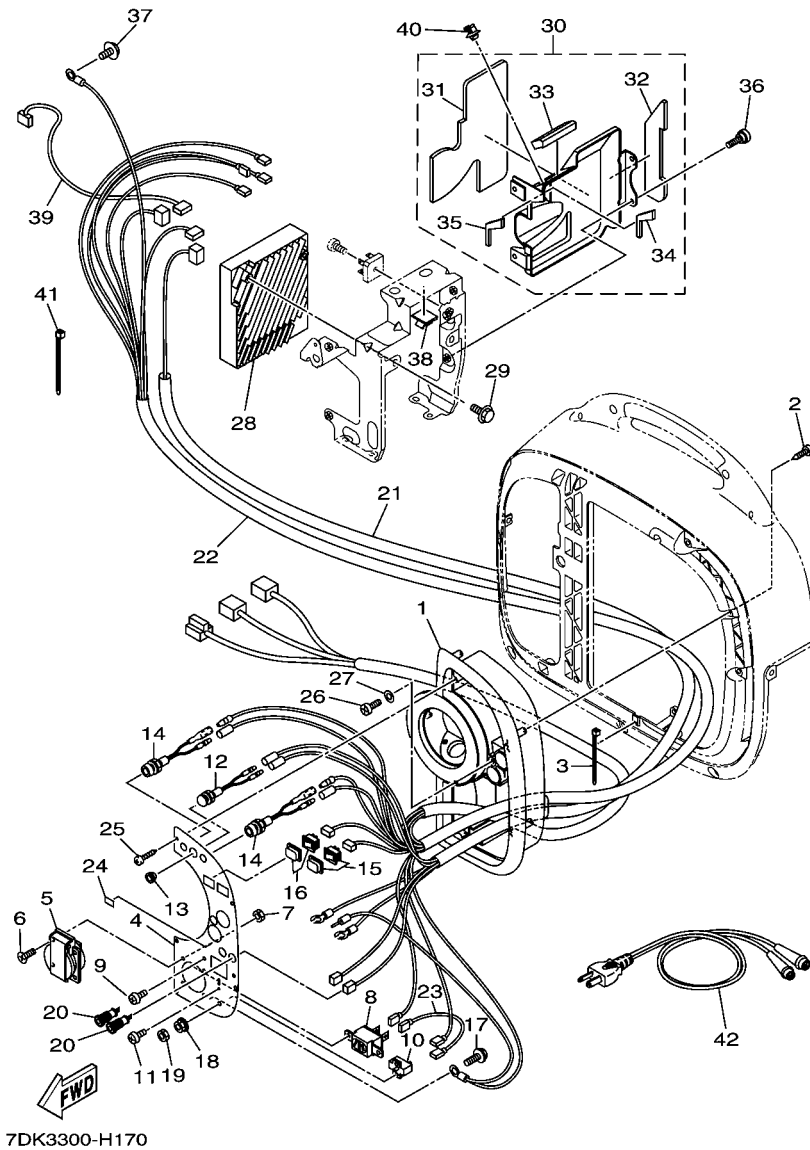


FIG. 16 CONTROL BOX 3

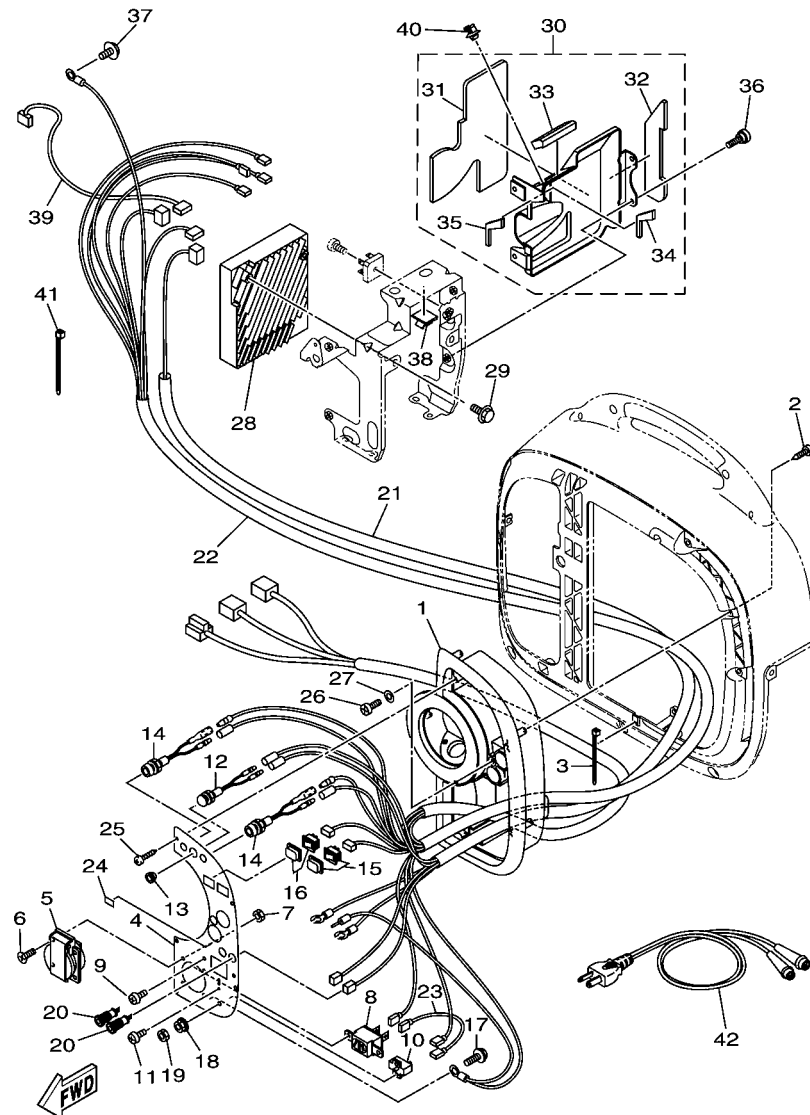
REF. NO.	PART NO.	DESCRIPTION	DEU	FRA	AUS	KOR	REMARKS
27	92907-05600	WASHER, PLATE			1		
28	7DK-8A210-20	CONTROL UNIT			1		
29	95802-06010	BOLT, FLANGE			2		
30	7DK-228G0-10	COVER ASSY 7			1		
31	7DK-22896-00	.SEAL 13			1		
32	7DK-2289L-00	.SEAL 22			1		
33	90520-10003	.DAMPER, PLATE			1		
34	7DK-2289N-00	.SEAL 24			1		
35	7DK-2289R-00	.SEAL 25			1		
36	7CF-23119-00	PLUG, DRAIN			4		
37	95807-06010	BOLT, FLANGE			1		
38	90464-07002	CLAMP			1		
39	7DK-88189-10	WIRE, SUB LEAD			1		
40	90464-05002	CLAMP			1		
41	90465-13M36	CLAMP			1		
42	7LJ-87209-10	CHARGE CORD ASSY			1		



7DK3300-H170

FIG. 17 CONTROL BOX 4

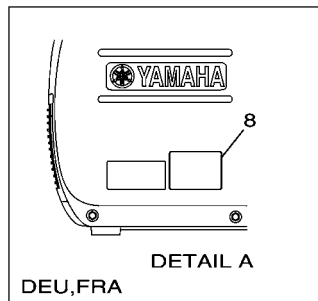
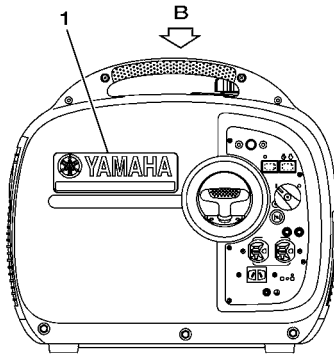
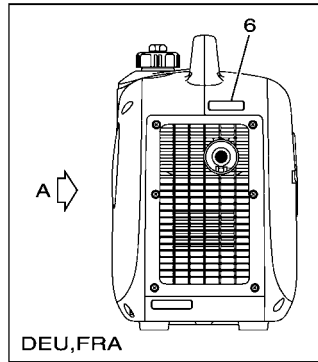
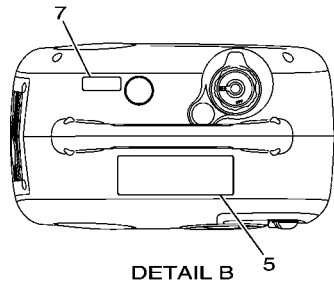
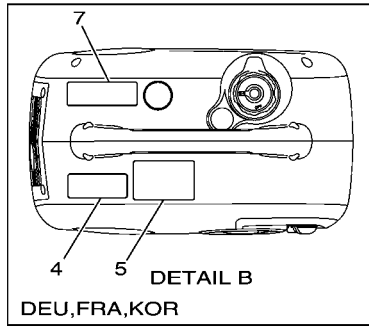
REF. NO.	PART NO.	DESCRIPTION	DEU	FRA	AUS	KOR	REMARKS
1	7DK-87201-01	CONTROL BOX COMP.				1	
2	97702-50016	SCREW, TAPPING				5	
3	90465-13M11	CLAMP				1	
4	7DK-87249-30	PLATE				1	
5	7H7-87221-80	RECEPTACLE 1 (ABL 6995)				1	
6	90151-03032	SCREW, COUNTERSUNK				4	
7	90179-03478	NUT				4	
8	7LG-87239-00	RECEPTACLE COMP. (DC 24V-12A)				1	NIPPON LOCK
9	98507-04008	SCREW, PAN HEAD				2	
10	7VV-82181-00	CIRCUIT BREAKER COMP. (8A)				1	HOSIDEN
11	98507-03008	SCREW, PAN HEAD				2	
12	7CH-83530-G0	PILOT LIGHT ASSY				1	UR
	7NJ-83530-G0	PILOT LIGHT ASSY				1	UR
13	90480-13012	GROMMET				1	
14	7CH-83582-C1	PILOT LIGHT ASSY				2	
15	7CG-82550-C0	ENGINE STOP SWITCH ASSY				1	(RED)
16	7XX-82550-00	ENGINE STOP SWITCH ASSY				1	ECON. SW. (BLACK)
17	97080-05016	BOLT				1	
18	95702-05500	NUT, FLANGE				1	
19	95380-05700	NUT				1	
20	7CF-87231-00	TERMINAL 1				2	
21	7DK-87226-K0	WIRE HARNESS ASSY				1	
22	7DK-8722J-90	WIRE, LEAD				1	
23	7WL-8722Y-00	WIRE, LEAD 4				1	
24	7CF-84306-30	LABEL, CAUTION				1	
25	97707-40516	SCREW, TAPPING				5	
26	98507-05012	SCREW, PAN HEAD				1	



7DK3300-H170

FIG. 17 CONTROL BOX 4

REF. NO.	PART NO.	DESCRIPTION	DEU	FRA	AUS	KOR	REMARKS
27	92907-05600	WASHER, PLATE				1	
28	7DK-8A210-60	CONTROL UNIT				1	
29	95802-06010	BOLT, FLANGE				2	
30	7DK-228G0-10	COVER ASSY 7				1	
31	7DK-22896-00	.SEAL 13				1	
32	7DK-2289L-00	.SEAL 22				1	
33	90520-10003	.DAMPER, PLATE				1	
34	7DK-2289N-00	.SEAL 24				1	
35	7DK-2289R-00	.SEAL 25				1	
36	7CF-23119-00	PLUG, DRAIN				4	
37	95807-06010	BOLT, FLANGE				1	
38	90464-07002	CLAMP				1	
39	7DK-88189-10	WIRE, SUB LEAD				1	
40	90464-05002	CLAMP				1	
41	90465-13M36	CLAMP				1	
42	7LG-87209-00	CHARGE CORD ASSY				1	



7DK3300-H180

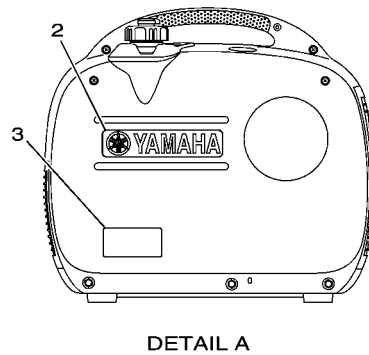


FIG. 18 GRAPHIC & EMBLEM

REF. NO.	PART NO.	DESCRIPTION	DEU	FRA	AUS	KOR	REMARKS
1	7DK-24161-10	EMBLEM 1 (YAMAHA EF2000IS)	1	1	1	1	
2	7DK-24161-30	EMBLEM 1 (YAMAHA)	1	1	1	1	
3	7DK-24164-40	EMBLEM 4 (CN432, OIL)			1		
	7DK-24164-A0	EMBLEM 4 (OIL)				1	
4	7DK-8432R-00	LABEL (PARALLEL OPERATION...)	1	1		1	
5	7CF-24162-30	EMBLEM 2 (STOP THE ENGINE...)	1	1		1	
	7DK-24162-10	EMBLEM 2 (WARNING)			1		
6	7VV-28176-30	LABEL, CAUTION (WARNING)	1	1			
7	7DK-21696-30	LABEL, CAUTION (NOTICE)	1	1		1	
	7DK-21696-10	LABEL, CAUTION (NOTICE)			1		
8	7DK-24235-00	MARK 1 (CE, LWA)	1	1			

NUMERICAL INDEX

PART NO.	REF. NO.	PART NO.	REF. NO.	PART NO.	REF. NO.	PART NO.	REF. NO.	PART NO.	REF. NO.	PART NO.	REF. NO.
2H0-14147-00	6 - 9	7DK-22889-00	10 - 40	7DK-24235-00	18 - 8	7DK-87174-01	13 - 7	7DK-8A210-20	15 - 30	7CN-E4186-00	6 - 21
7DK-14148-00	5 - 17	7DK-22891-00	9 - 7	4SV-24453-00	6 - 5	7DK-87201-01	14 - 1		16 - 28	7CU-E4211-00	6 - 12
7LG-14150-11	6 - 19	7DK-22895-00	9 - 2	7CF-24500-00	11 - 7		15 - 1	7DK-8A210-60	17 - 28	7DX-E4411-00	5 - 5
7EG-14159-00	6 - 20	7DK-22896-00	16 - 31	7CF-24512-00	11 - 8		16 - 1	7DX-E1111-01	1 - 1	7DX-E4412-00	5 - 6
7TD-14181-00	6 - 18		17 - 31	3AC-24523-00	11 - 11		17 - 1	7DX-E111J-00	1 - 13	7DX-E4416-00	5 - 13
7EG-14185-00	6 - 16	7DK-2289F-00	10 - 12	7DK-24524-00	11 - 17	7LG-87209-00	14 - 45	7DX-E1166-00	1 - 12	7DX-E4451-00	5 - 7
7E1-14191-00	6 - 23	7DK-2289G-00	10 - 13	3AJ-24534-01	11 - 10		15 - 45	7DX-E1179-00	1 - 3	7DX-E4452-00	7 - 11
73A-14212-00	6 - 22	7DK-2289H-00	10 - 23	7DK-24610-02	11 - 4		17 - 42	7DX-E1181-10	1 - 4	7DX-E4453-01	5 - 8
73A-14212-10	6 - 13	7DK-2289J-00	10 - 24	7DK-26331-00	9 - 20	7LJ-87209-10	16 - 42	7DX-E1190-00	1 - 9	7DX-E4457-00	7 - 12
7RH-14216-00	6 - 2	7DK-2289K-00	10 - 25	7DK-28100-00	9 - 39	7H8-87214-11	16 - 8	7DX-E1351-00	1 - 10	7DX-E4467-00	5 - 10
7G0-14227-00	6 - 14	7DK-2289L-00	16 - 32	7VV-28176-30	18 - 6	7CF-87221-60	15 - 5	7DX-E1400-00	2 - 1	7CU-E4527-00	6 - 8
1HX-1423A-64-A0	6 - 17		17 - 32	7DK-81802-00	6 - 4	7H7-87221-80	14 - 5	7DX-E1561-00	2 - 8	7DX-E4613-00	7 - 24
7DK-14293-00	6 - 24	7DK-2289M-00	10 - 30	7VV-82181-00	14 - 10		17 - 5	7DX-E1610-00	2 - 5	7DX-E471C-00	7 - 8
7RH-14486-00	6 - 3	7DK-2289N-00	14 - 34		15 - 10	73G-87221-90	16 - 5	7DX-E1610-10	2 - 5	7DX-E4721-00	7 - 2
78G-14496-00	6 - 15		15 - 34		16 - 10	7DK-87223-90	14 - 42	7DX-E1610-20	2 - 5	7DX-E472C-00	7 - 17
7DK-15720-00	4 - 20		16 - 34		17 - 10		15 - 42	7DX-E1631-00-A0	2 - 4	7DX-E4786-00	7 - 3
7DK-15755-00	4 - 19		17 - 34	7XX-82550-00	14 - 16	7DK-87226-60	15 - 21	7DX-E1633-00	2 - 6	7CA-E4788-00	7 - 5
7DK-21696-10	18 - 7	7DK-2289R-00	14 - 35		15 - 16	7DK-87226-90	14 - 21	7DX-E1635-00	2 - 4	7CA-E4799-00	7 - 4
7DK-21696-30	18 - 7		15 - 35		16 - 16	7DK-87226-K0	17 - 21	7DX-E1636-00	2 - 4	7CA-E479E-00	7 - 6
7WL-21764-00	10 - 9		16 - 35		17 - 16	7DK-87226-N0	16 - 21	7DX-E1650-00	2 - 2	7DX-E5111-00	8 - 1
7DK-22218-00	9 - 10		17 - 35	7CG-82550-C0	14 - 15	7DK-8722J-90	14 - 22	7DX-E1654-00	2 - 3	7DX-E5363-00	8 - 8
7DK-22275-00	9 - 9	7DK-228B0-00	9 - 29		15 - 15		15 - 22	7DX-E2111-00	3 - 3	7DX-E5411-00	8 - 5
7DK-22483-00	9 - 22	7DK-228D0-00	10 - 20		16 - 15		17 - 22	7DX-E2117-00	3 - 7	7DX-E5451-00	8 - 10
7DK-2281K-00	10 - 31	7DK-228E0-00	10 - 28		17 - 15	7DK-8722J-N0	16 - 22	7DX-E2118-00	3 - 8	7DX-E5494-00	7 - 13
7DK-2281L-00	10 - 32	7DK-228F0-00	10 - 37	7CH-83530-G0	14 - 12	7WL-8722Y-00	14 - 23	7DX-E2119-01	3 - 14	7DX-E5495-00	7 - 14
7DK-2281M-00	10 - 33	7DK-228G0-10	16 - 30		15 - 12		15 - 23	7DX-E2121-00	3 - 4		7 - 19
7DK-2281N-00	10 - 34		17 - 30		16 - 12		17 - 23	7DX-E2151-00	3 - 9	7DX-E5496-00	7 - 15
7DK-2282E-00	9 - 26	7DK-228G0-90	14 - 32		17 - 12	7WL-8722Y-N0	16 - 23	7DX-E2153-00	3 - 5	7DX-E549D-00	7 - 16
	10 - 8		15 - 32	7NJ-83530-G0	14 - 12	7CF-87231-00	14 - 20	7DX-E2154-00	3 - 13	7DX-E5710-00	4 - 8
7DK-2282E-90	9 - 26	7CF-23119-00	14 - 36		15 - 12		15 - 20	7DX-E2156-00	3 - 10	7DX-E5711-00	4 - 9
	10 - 8		15 - 36		16 - 12		16 - 20	7CT-E2159-00	3 - 11	7CN-E5713-00	4 - 12
7DK-22831-00	14 - 44		16 - 36		17 - 12		17 - 20	7DX-E2170-00	3 - 1	7DX-E5714-00	4 - 10
	15 - 44		17 - 36	7CH-83582-C1	14 - 14	7LG-87239-00	14 - 8	7DX-E2287-00	3 - 2	7CN-E5715-00	4 - 13
7DK-22855-00	10 - 7	7DK-23383-00	9 - 35		15 - 14		15 - 8	7DX-E261D-00	4 - 5	7DX-E5716-00	4 - 14
7DK-22865-00	9 - 23	7DK-24110-10	11 - 1		16 - 14		17 - 8	7DX-E2621-00	4 - 1	7DX-E5734-00	4 - 17
7DK-22866-00	10 - 1	7DK-24129-00	11 - 3		17 - 14	7DK-87249-30	14 - 4	7CP-E262J-00	4 - 6	7CN-E5741-01	4 - 11
7DK-2286A-00	10 - 41	7DK-2413X-00	11 - 14	7CF-84306-30	14 - 24		15 - 4	7DX-E2651-00	4 - 3	7DX-E5751-00	4 - 15
7DK-22873-00	9 - 24	7DK-24141-00	11 - 2		15 - 24		17 - 4	7DX-E2684-00	7 - 9	7DX-E5755-00	4 - 16
7DK-22874-00	9 - 30	7DK-24161-10	18 - 1		16 - 24	7DK-87249-N0	16 - 4	7DX-E2685-00	7 - 18	7DX-F4311-00	5 - 15
7DK-22875-00	9 - 31	7DK-24161-30	18 - 2		17 - 24	7DK-88188-00	14 - 41	7DX-E2686-00	7 - 10	7DX-F5153-00	3 - 15
7DK-22876-00	10 - 2	7DK-24162-10	18 - 5	7DK-8432R-00	18 - 4		15 - 41	7DX-E2691-00	7 - 26	7DX-H2310-00	12 - 7
7DK-22877-00	10 - 21	7CF-24162-30	18 - 5	7DK-85542-00	13 - 12	7NJ-88188-00	14 - 25	7DX-E3556-00	5 - 3	7CN-H2370-00	12 - 12
7DK-22878-00	10 - 22	7DK-24164-40	18 - 3	7F7-85710-02	11 - 6		15 - 25	7DX-E3556-10	5 - 4	7CP-H2372-00	12 - 13
7DK-22879-00	10 - 29	7DK-24164-A0	18 - 3	7VU-87105-00	9 - 18	7DK-88189-10	14 - 39	7DX-E3593-00	5 - 2	7DX-H5521-00	12 - 2
7DK-22881-00	9 - 1	7CG-24167-00	11 - 5	7DK-87150-20	13 - 1		15 - 39	7DX-E3595-00	5 - 1	7DX-H5550-00	12 - 1
7DK-22885-00	10 - 38	7DK-24181-00	11 - 16	7DK-87150-90	13 - 1		16 - 39	7DX-E4101-00	6 - 1	7DX-H5720-00	12 - 9
7DK-22886-00	10 - 3	7DK-24191-00	9 - 14	7DK-87160-00	13 - 2		17 - 39	7CP-E4118-00	6 - 11	7DX-H5724-00	12 - 10
7DK-22888-00	10 - 39	7DK-2419A-00	10 - 6	7DK-87172-00	13 - 3	7DK-8A210-20	14 - 30	7CU-E4142-37-A0	6 - 10	90109-06269	13 - 5

NUMERICAL INDEX

PART NO.	REF. NO.	PART NO.	REF. NO.	PART NO.	REF. NO.	PART NO.	REF. NO.	PART NO.	REF. NO.	PART NO.	REF. NO.
90109-063F5	9 - 38	90480-01558	9 - 17	95380-05700	17 - 19	97707-40516	17 - 25				
	10 - 16	90480-01559	10 - 11	95607-06615	1 - 2	98502-03008	11 - 9				
90119-06147	9 - 3	90480-12237	7 - 21	95702-04500	16 - 7	98502-05014	9 - 19				
90149-06011	11 - 13	90480-13012	14 - 13	95702-05500	14 - 18	98507-03008	14 - 11				
90151-03032	14 - 6		15 - 13		15 - 18		15 - 11				
	15 - 6		16 - 13		16 - 18		16 - 11				
	17 - 6		17 - 13		17 - 18		17 - 11				
90153-05800	7 - 7	90480-13398	10 - 10	95702-06500	9 - 5	98507-04008	14 - 9				
90154-06823	5 - 9	90480-13567	9 - 16		9 - 8		15 - 9				
90170-05806	3 - 12	90501-20800	3 - 6	95702-12500	13 - 11		16 - 9				
90173-06008	9 - 12	90520-03006	9 - 11	95707-06500	5 - 12		17 - 9				
90179-03478	14 - 7	90520-04003	10 - 4	95802-06010	9 - 15	98507-04012	16 - 6				
	15 - 7	90520-04004	10 - 15		10 - 17	98507-05008	6 - 6				
	17 - 7	90520-05004	9 - 32		14 - 31	98507-05012	10 - 18				
90183-05004	9 - 34	90520-05005	9 - 27		15 - 31		10 - 26				
	10 - 42	90520-05006	9 - 28		16 - 29		10 - 35				
	11 - 15	90520-05010	9 - 37		17 - 29		10 - 43				
90183-05061	9 - 6	90520-05800	4 - 4	95802-06012	13 - 4		14 - 28				
	9 - 25	90520-05801	4 - 7	95802-06030	13 - 9		15 - 28				
	10 - 5	90520-10003	14 - 33	95807-06010	14 - 37		16 - 26				
90183-06808	5 - 14		15 - 33		15 - 37		17 - 26				
90201-11597	9 - 21		16 - 33		16 - 37	98707-04020	11 - 18				
90202-05193	11 - 12		17 - 33		17 - 37	99530-08012	1 - 7				
90280-03045	12 - 6	90520-15003	9 - 36	95807-06016	4 - 2		8 - 4				
90338-40210	13 - 8		10 - 14		4 - 18		13 - 6				
90387-063K3	9 - 4	92907-05600	10 - 19	95807-06020	5 - 11		13 - 10				
90387-088V6	7 - 22		10 - 27		12 - 8						
90462-05061	14 - 26		10 - 36	95812-06012	9 - 13						
	15 - 26		10 - 44	95827-06012	12 - 11						
90464-05002	14 - 40		14 - 29	95827-06014	7 - 25						
	15 - 40		15 - 29	95827-06016	1 - 11						
	16 - 40		16 - 27		7 - 20						
	17 - 40		17 - 27	95827-06020	8 - 11						
90464-07002	14 - 38	92907-06200	1 - 6		12 - 3						
	15 - 38	92907-12600	12 - 5	95827-06050	1 - 5						
	16 - 38	92990-05100	6 - 7	97080-05016	14 - 17						
	17 - 38	93102-20802	8 - 3		15 - 17						
90464-16805	12 - 14		8 - 7		16 - 17						
90465-13M11	14 - 3	93210-15803	8 - 9		17 - 17						
	15 - 3	93306-204YY	8 - 2	97702-50014	7 - 1						
	16 - 3		8 - 6	97702-50016	9 - 33						
	17 - 3	93450-13819	2 - 7		14 - 2						
90465-13M36	14 - 43	94702-00821	1 - 8		15 - 2						
	15 - 43	95307-06600	7 - 23		16 - 2						
	16 - 41	95307-12700	12 - 4		17 - 2						
	17 - 41	95380-05700	14 - 19	97707-40516	14 - 27						
90467-09037	11 - 19		15 - 19		15 - 27						
90467-09804	5 - 16		16 - 19		16 - 25						